

가 . 가 , 가 가

1

, ,

1
 2 1
 3
 4 3
 5
 6 5
 7 6 B
 8
 9

A-A

가

가

(Scanning)

(Sample)

(Device)가

가

omeric absorption spectroscopy),
 X (Total X-ray fluorescent analyzer)

(ICP-mass spectroscopy)

(At

(Coating)
 (Vapor phase decomposition apparatus)
 (Chamber)

(Oxide)

Loading plate) ,
 가

가 (Loading)
 (HF;hydrofluoric acid)
 가

(User)
 (Manual)

가

가

가

(Size)가 가

가

가 (Loader part) (Unloader part)가 ,

(Bottle) , (Nozzle) ,

가, (Arm) (Dry unit) 가 ,

가, (H₂O) : (H₂O₂) : (HF) 95% : 4% : 1%

(900)

1 2 (900)

0) (100), (700), (200), (300), (400), (500), (60

(700), (900) (200), (300), (400), (500) (600)

(100) (700) (700) (Center) (300), (200) (600)가 (600)

0)가 (200) (600) (300), (400) (700) (200) (60

(100)

(100) 가 (100)

(700) 가 (300), (400) (500)

(200) (600) (600) (50)

(300), (400), (500) (50)가 (Wafer cassette)가 (200)

(200) (600) (100) (350) , 가 가 (310)

(310) 가 가 (50)

(300)

(50) (50) (50) (310)

(50)가 (400) (300) (50) 가 가 (50)가 (200)

(300) (400) (50)

(6 80) (50)

(450), (400) (Nozzle tray,430), (Sampling cup) (470), (Align) (480),

(440) (410) (480) (482) (482) (Motor,)

(Align hand,485) (50)가 (300) (482)

, (485) (50)가 (482) (50)
 , (50)
 , (455) (450) , (80) 가 '가' (50) , (450) (410)
 , (450) (410) (480) (50) (451)가 (450) (410) (451)
 (410) O (6 452) , O (452) (450) (410)
 , 6 (410) (80) (450) (410) (450) (450)
 (451) (410) (450) (451) (410)
 (451) (6 7 B) (B) 7 (410)
 (Spring,458) (453) , (Stock,456) , (456) (410) (456)
) (Air) (453) 가 (Pumping) (454
 () (430) (450) , 가 (432) (454
 , (439) (430) (410) (430) (410) (456)
 e,437) (450) (410) (430) (450) (50) (410)
 (450) (80) (440) (50) (440) (430)
 (432) (435) (435) (430)
 (80) (H₂O) : (H₂O₂) : (HF) 95% : 4% : 1% 가 (473)
 , (470) (450) (470) (470) (475)
 (471) (477) (470) (470) (450) (50)
 (50) (475)
 , (490) (470) (410) (450)
 (50) (475) (410) (410)
 , (450) (430) (470)
 (490) (430) (470)
 (490) 3 (450) (455) (450)
 (450) (430), (470), (490) 가
 , (410) (450) (50) (450) (451)
 (450) (50) (80) (412) (80) (414) (416)
 , (410) 5 (410) (412) (414) (416)
 (450) (451) (80) (451) (451) (412)
 , (414) (410) (80) (412)
 , (416) (410) (450) (50) (410)
 (80) (80) (50) (414)
 (80) (419) (415)
 (419) (419) (418) (419)
 가 (418) (80) (410) (416) 가 (80) (410)
 (410) (80) (410) (80) (410)
 (416)
 , (500) (100) (400) (600) (50)
 (50)가 (50) 가 (Heating plate,530) ,
 (530) (510) (50) (400) 가 (50)가
 (530) (50) (530) 가 (50)가
 , (500) (50) X

(900)

(50)가

(50)가 (100) (900) (100) (200) (700) (200)

(50) (300) (350) (900)가 (300) (350)

(50) (50) (400) (480) (50) (700) (300)

(50) (480) (485) (430) (440) (50) (430) (410)

(430) (450) (440) (80) (450) (410)

(80) (50) (80) (451) (450) (451)

(50) (450) (50) (450) (410)

(50) (410) (454) (410) (80)

(410) (416) (50) (80) (50)

(410) (416) (80) (80) (410)

(451) (30)가 (30) (80) (80) (410)

(450) (410) (416) (80) (80) (50)

(416) (50) (450) (450)

(50) (80) (80) (80)

(450) (410) (416) (80) (80)

(450) (50)가 (450) 8 (450)가 (50)가

(Step by step) (50) (450) (55)

9 (80) (410) (416) (50)

(485) (80) (450) (410) (454)

(50) (450) (450)가 (470) (475) (50)

(450) (490) (B) (410) (490) (410) (45)

(490) (50) (700) (600)

가 (50) X (450) (50)

(50) (450) (B) (410) (490)

(450) (490) (50) (50) (500)

(530) (50) (600) (80) (900)

(50)가 (50) (410) (410) (80)

(80) (900) (451) (50) (410) (80) (41)

(410) (416)가 (80)가

(50)

가 가 , 가 가 . , 가 , 가 가 , , 가 가 .

(57)

1. , 가 가 ; ; ; ;

1 2.

1 3. , 가 ,

1 4.

5. , ; ; ; ;

5 6. (H₂O), (H₂O₂), (HF)

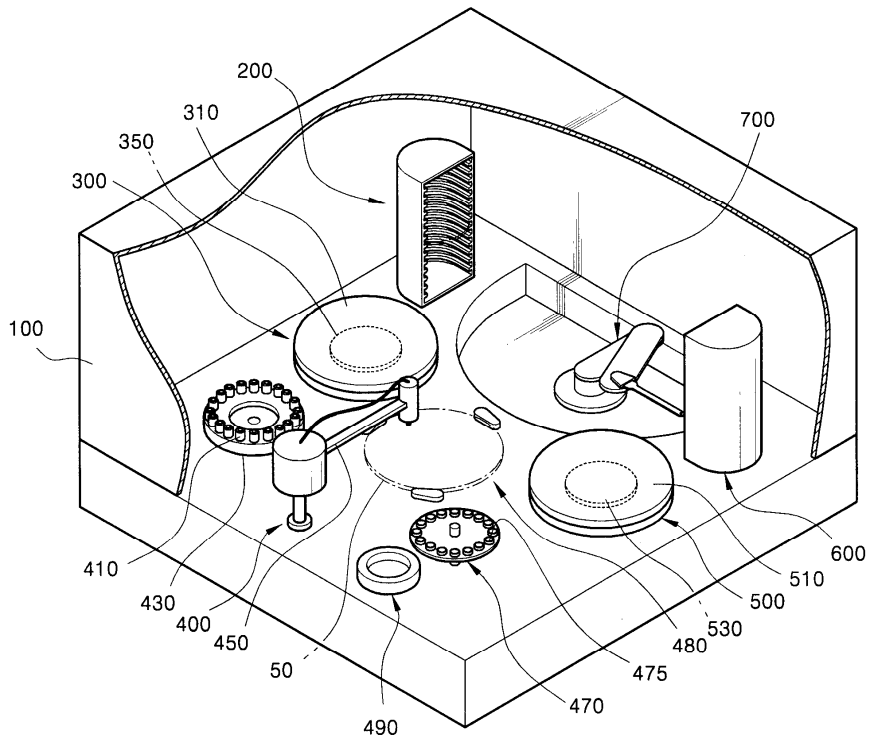
6 7. (H₂O₂) 4% (HF) 1%

5 8.

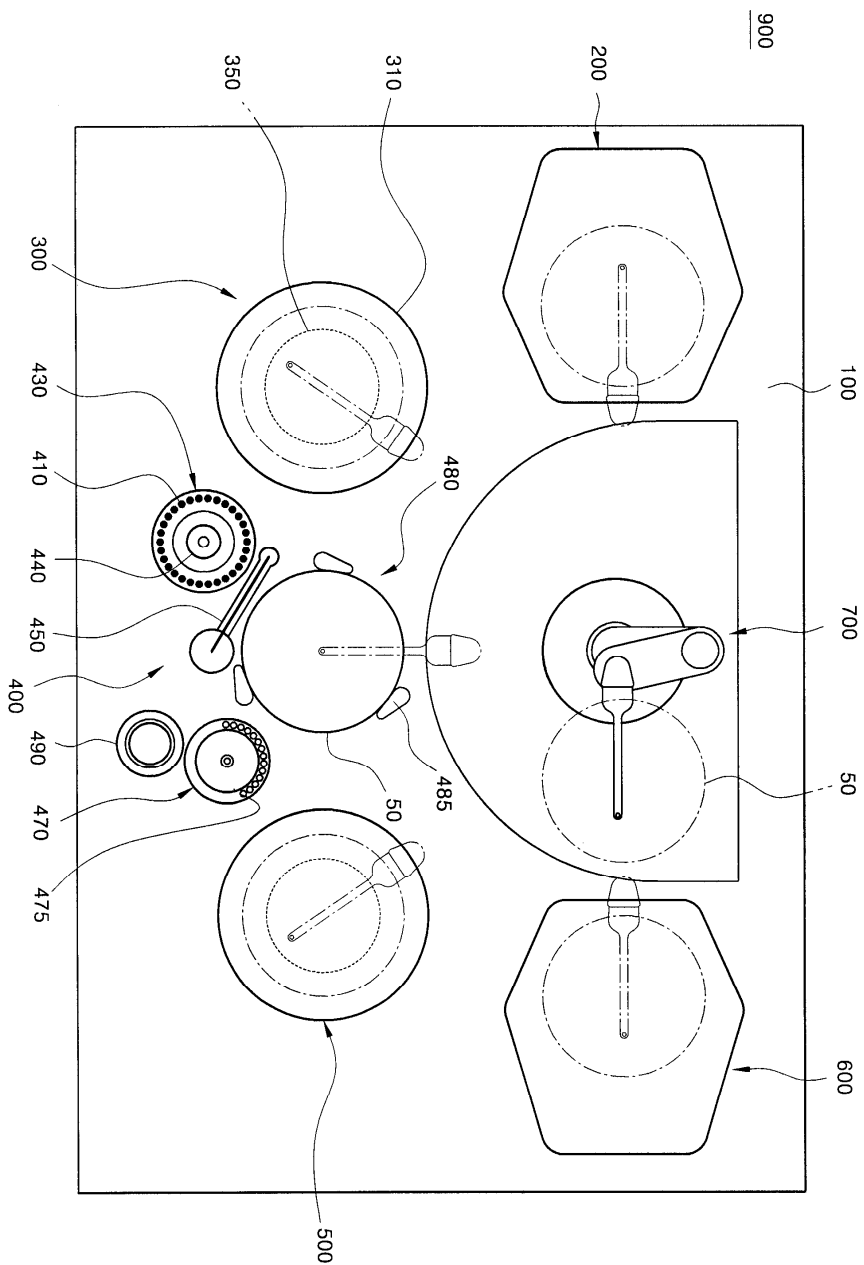
5 9.

1

900

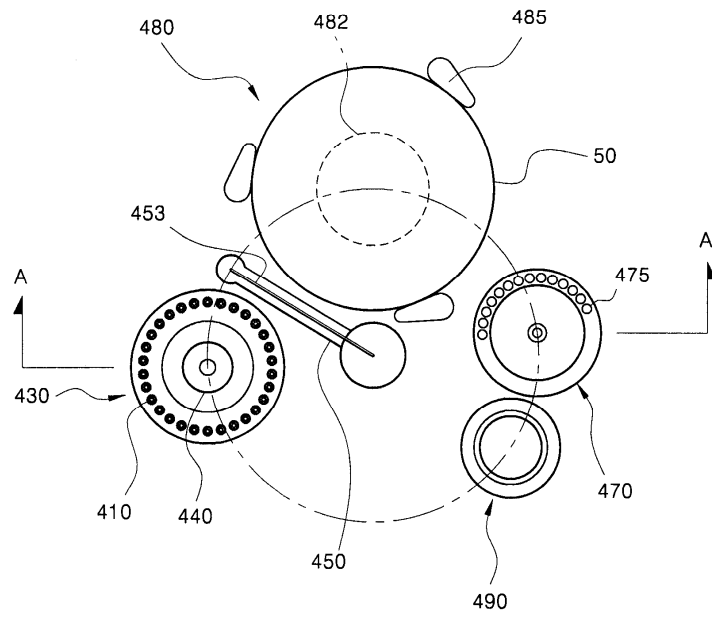


2

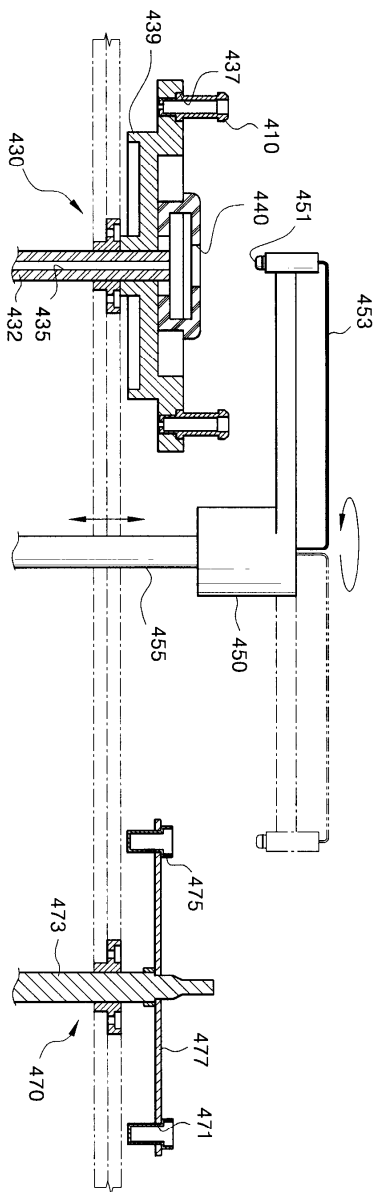


3

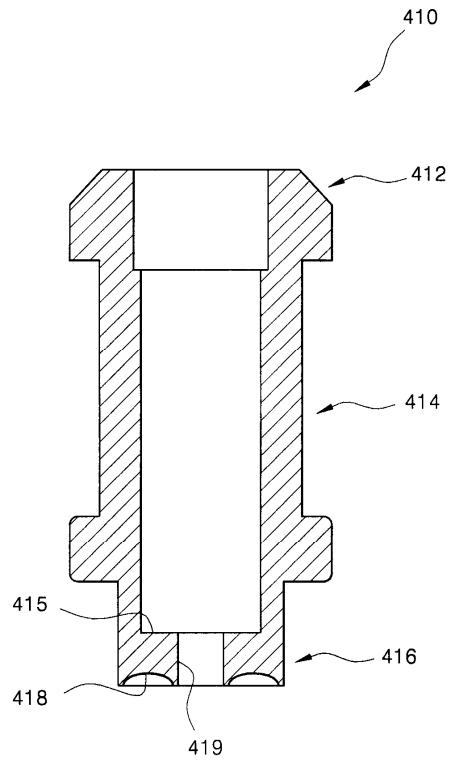
400



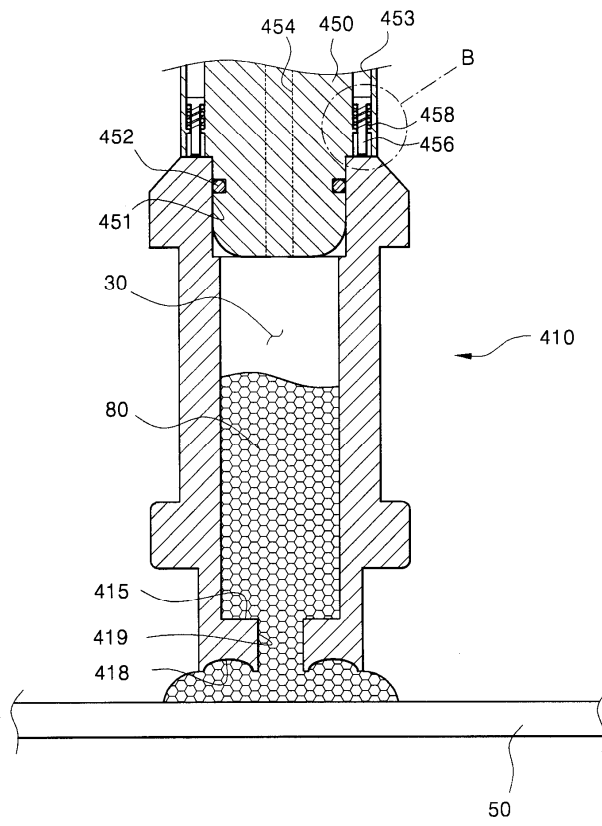
4



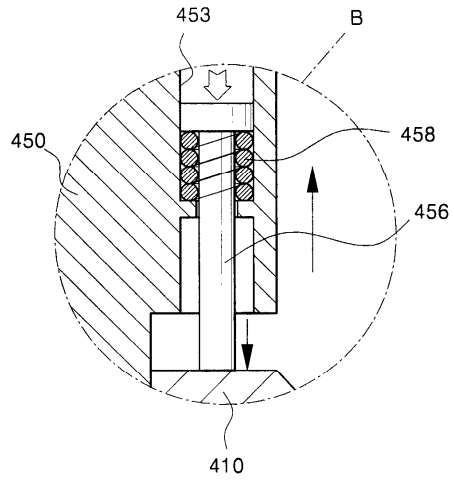
5



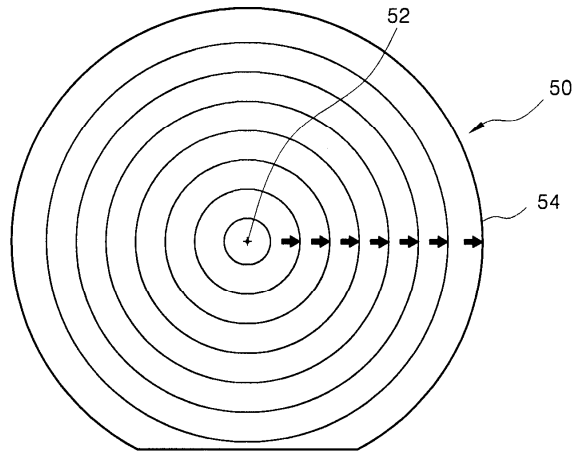
6



7



8



9

